

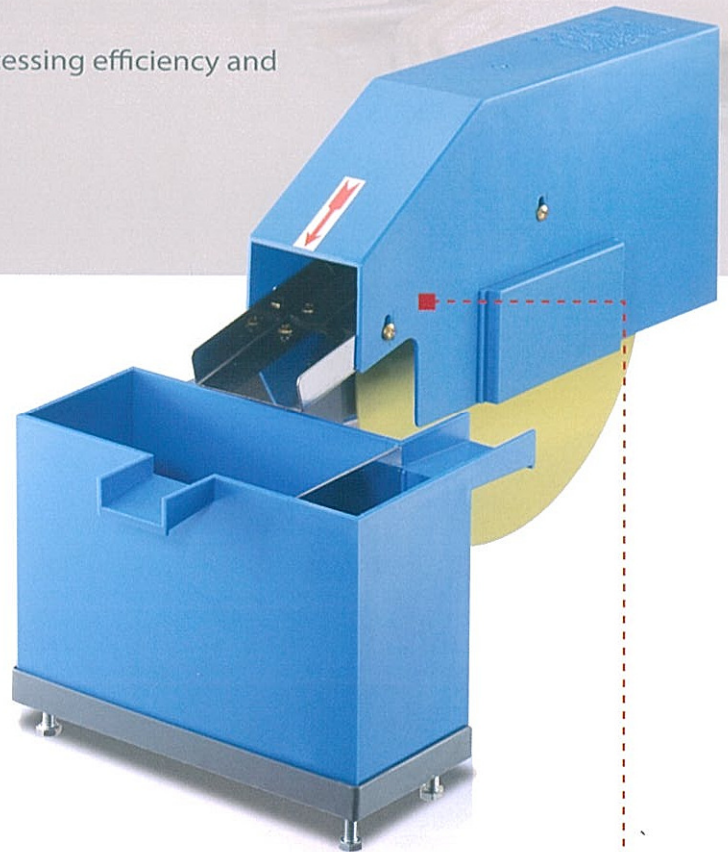
Standard Accessory for CNC Machining Center

FEATURES:

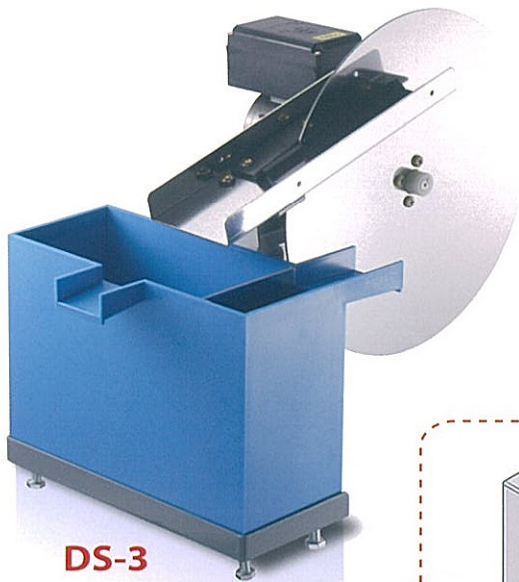
- Prevent coolant corruption- machining center equipped with auto lubrication system without recycling function tends to generate tramp oil and deteriorate coolant quality.
- Minimum maintenance cost for increasing processing efficiency and surface fineness of workpiece.

DISK TYPE

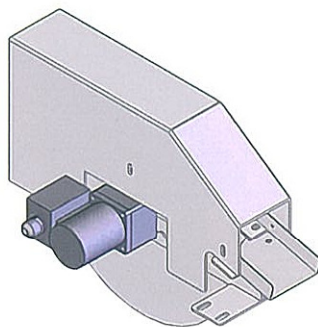
Model	Disc Dia.	Disc Protrude
DS2030/20	200	70
DS2030/25	250	95
DS2030/30	300	120
DS-3	300	120
DS-4	400	170
DS-5	500	270



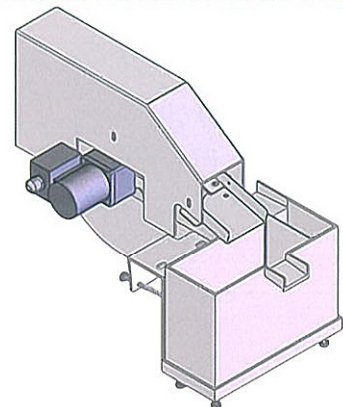
DS2030-30



DS-3



DS2030A Lock Type



DS2030 Clamp Type